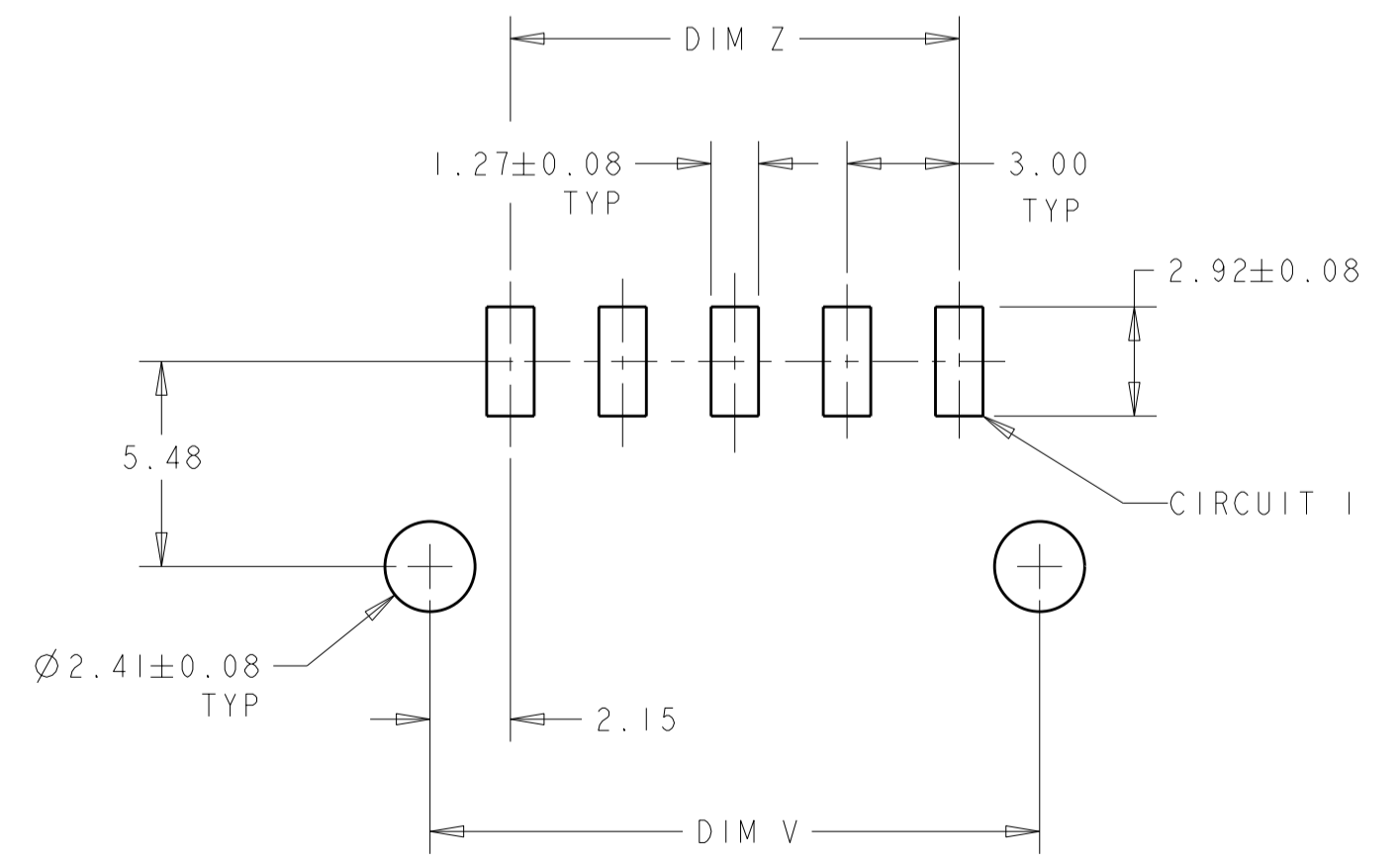
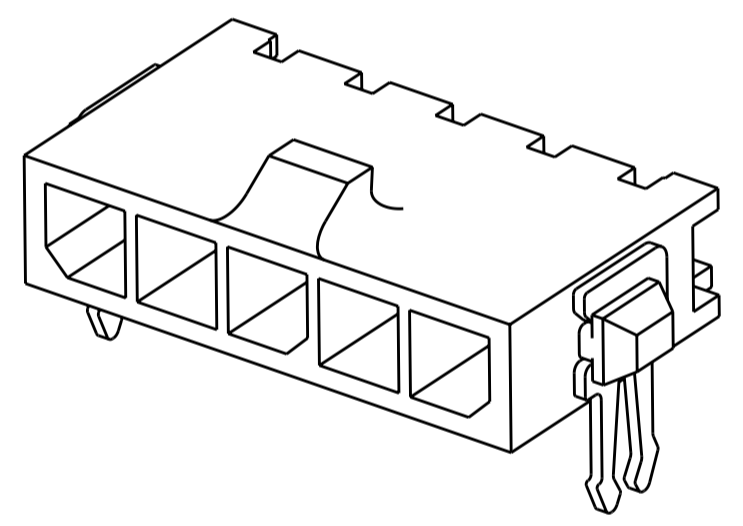
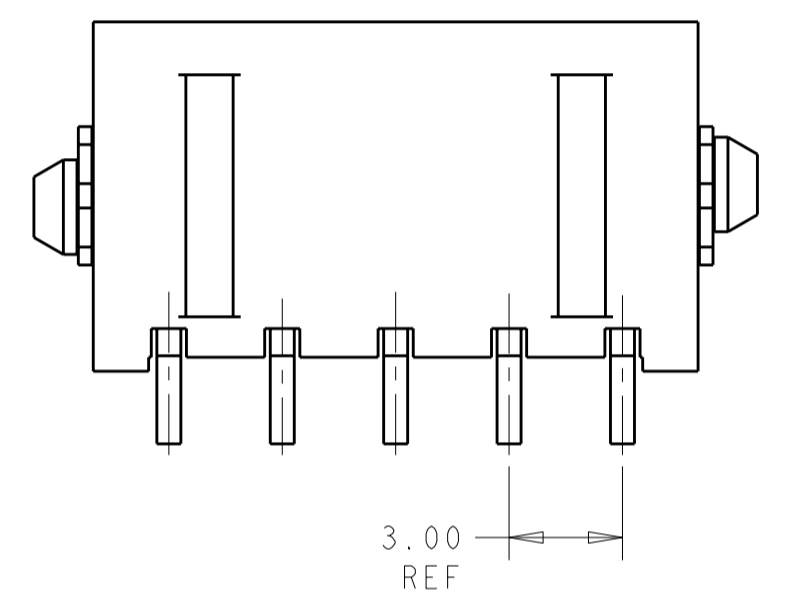
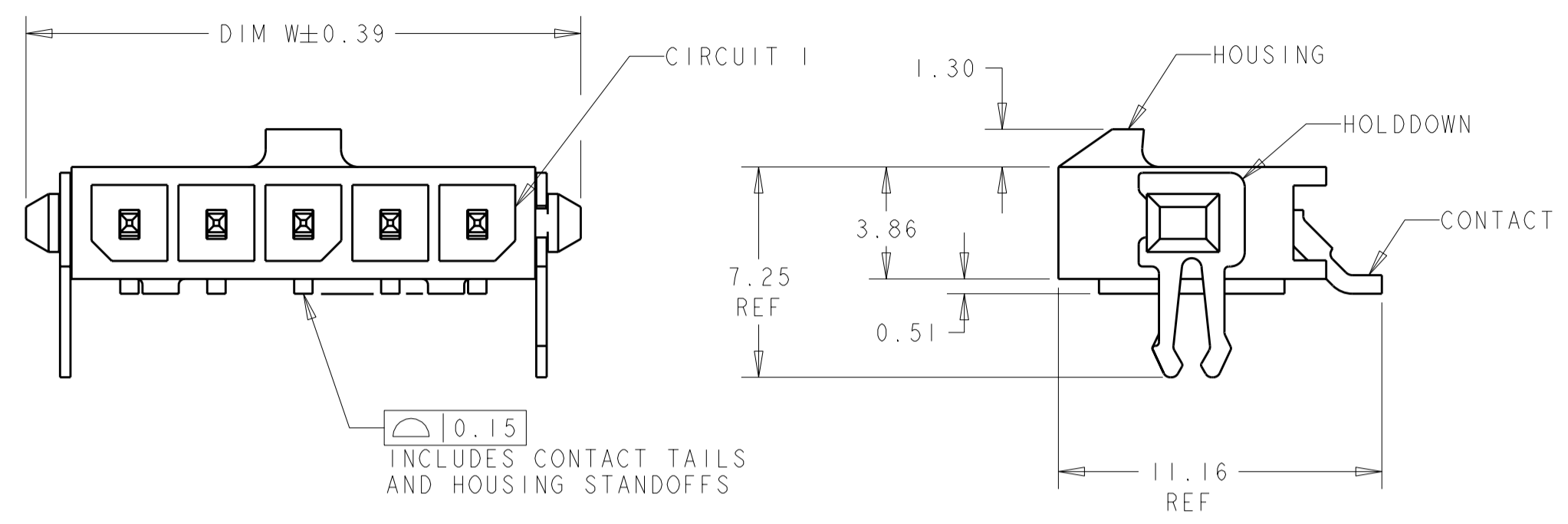


THIS DRAWING IS UNPUBLISHED. RELEASED FOR PUBLICATION 20
 © COPYRIGHT 20 BY - ALL RIGHTS RESERVED.

REVISIONS					
P	LTR	DESCRIPTION	DATE	DWN	APVD
CI		REVISED PER ECO-11-005027	17MAR2011	RK	HMR



PCB LAYOUT COMPONENT SIDE \triangle



- \triangle MATERIAL: CONTACTS - BRASS
HOUSING - UL 94V-0 RATED HIGH TEMP NYLON, COLOR BLACK.
HOLDDOWNS: - PHOSPHOR BRONZE.
- \triangle PLATING: CONTACTS - 2.54 μ m MINIMUM TIN LEAD OVER 1.27 μ m MINIMUM NICKEL.
HOLDDOWNS: 2.54 μ m MINIMUM TIN-LEAD OVER 1.27 μ m MINIMUM NICKEL.
- \triangle RECOMMENDED PC BOARD THICKNESS OF 1.57.
- \triangle PLATING: CONTACTS - 2.54 μ m MINIMUM MATTE TIN OVER 1.27 μ m MINIMUM NICKEL.
HOLDDOWNS: 2.54 μ m MINIMUM MATTE TIN OVER 1.27 μ m MINIMUM NICKEL.

\triangle 5	33.00	37.43	40.00	12	3-1445056-2
\triangle 5	30.00	34.43	37.00	11	3-1445056-1
\triangle 5	27.00	31.43	34.00	10	3-1445056-0
\triangle 5	24.00	28.43	31.00	9	2-1445056-9
\triangle 5	21.00	25.43	28.00	8	2-1445056-8
\triangle 5	18.00	22.43	25.00	7	2-1445056-7
\triangle 5	15.00	19.43	22.00	6	2-1445056-6
\triangle 5	12.00	16.43	19.00	5	2-1445056-5
\triangle 5	9.00	13.43	16.00	4	2-1445056-4
\triangle 5	6.00	10.43	13.00	3	2-1445056-3
\triangle 5	3.00	7.43	10.00	2	2-1445056-2
\triangle 2	33.00	37.43	40.00	12	1-1445056-2
\triangle 2	30.00	34.43	37.00	11	1-1445056-1
\triangle 2	27.00	31.43	34.00	10	1-1445056-0
\triangle 2	24.00	28.43	31.00	9	1445056-9
\triangle 2	21.00	25.43	28.00	8	1445056-8
\triangle 2	18.00	22.43	25.00	7	1445056-7
\triangle 2	15.00	19.43	22.00	6	1445056-6
\triangle 2	12.00	16.43	19.00	5	1445056-5
\triangle 2	9.00	13.43	16.00	4	1445056-4
\triangle 2	6.00	10.43	13.00	3	1445056-3
\triangle 2	3.00	7.43	10.00	2	1445056-2
FINISH	DIM Z	DIM V	DIM W	NO. OF POSN	PART NUMBER

THIS DRAWING IS A CONTROLLED DOCUMENT.		DWN J.ROOT 03OCT2000	TE Connectivity	
DIMENSIONS: mm		CHK K.WHITAKER 13-MAR-2001		
TOLERANCES UNLESS OTHERWISE SPECIFIED:		APVD K.WHITAKER 13-MAR-2001	NAME RT ANGLE SURFACE MOUNT HEADER ASSY, TIN CONTACTS W/THRU HOLE HOLDDOWNS, SINGLE ROW, MICRO MATE-N-LOK™	
0 PLC ±		PRODUCT SPEC	SIZE A2	
1 PLC ±		APPLICATION SPEC	CAGE CODE 00779	
2 PLC ±0.13		WEIGHT	DRAWING NO. 1445056	
3 PLC ±		RESTRICTED TO	SCALE 5:1	
4 PLC ±		CUSTOMER DRAWING	SHEET 1 OF 1	
ANGLES FINISH ±			REV C1	
SEE TABLE				